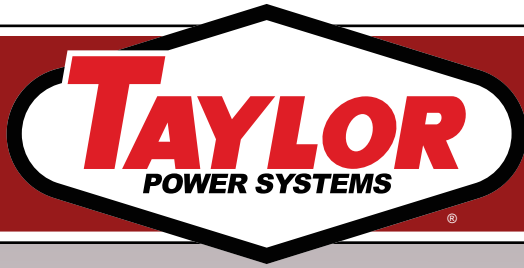


TD750



EPA Certified / Stationary Emergency

| OUTPUT POWER OPTIONS | | | | | 125°C RISE STANDBY RATING | | 105°C RISE CONTINUOUS RATING | | sKVA |
|----------------------|---------|------------|-------|-------|------------------------------|------|---------------------------------|------|-----------------|
| Make | Voltage | Alternator | Phase | Hertz | kW/kVA | Amps | kW/kVA | Amps | 30% Voltage Dip |
| Stamford | 600 | S6L1D-C07 | 3 | 60 | 750/938 | 903 | 680/850 | 819 | 1650 |
| | 277/480 | S6L1D-C311 | 3 | 60 | 750/938 | 1129 | 680/850 | 1024 | 2150 |
| | 120/208 | S6L1D-D311 | 3 | 60 | 750/938 | 2605 | 680/850 | 2362 | 2320 |
| | 120/240 | S6L1D-C311 | 3 | 60 | 750/938 | 2258 | 680/850 | 2047 | 1600 |



Engine Data

| | |
|-------------------------------------|--------------------------|
| Manufacturer | Perkins |
| Model | 2806C-E18TTAG7 |
| Aspiration | Turbocharged |
| EPA Tier | 2 |
| Charge Air Cooling System | Air-to-Air |
| Arrangement | Vertical Inline, 4-Cycle |
| Firing Order | 1-5-3-6-2-4 |
| Displacement: L (in. ³) | 18.1 |
| Bore: mm (in.) | 145.00 (5.71) |
| Stroke: mm (in.) | 183.00 (7.21) |
| Compression Ratio | 14:1 |
| BMEP: psi (kPa) | 442.80 (3053.00) |
| Net Horsepower | 1058.6 |
| Rated RPM | 1800 |
| Governor | Isochronous |
| Speed Regulation | ±1.5% |

Engine Liquid Capacity

| | |
|----------------------------------|----------------|
| Oil System: qt. (L) | 71.86 (68.00) |
| Cooling System Capacity: gal (L) | 28.93 (109.50) |

Engine Electrical

| | |
|---------------------|------|
| Electric Volts: DC | 24 |
| Cold Cracking Amps | 2200 |
| Battery(s) Required | 2 |

Fuel System

| | |
|---|-------------------|
| Fuel Injection Type | MEUI |
| Fuel Pump Rate: gal/hr (L/hr) | 110.95 (420.00) |
| Pump Pressure: in. H ₂ O (kPa) | 2809.28 (700.00) |
| Max Suction Head: ft (m) | -108.36 (-27.00) |
| Pump Max. Pressure Head: ft (m) | 12.14 (3.70) |
| Recommended Fuel | Low Sulfur Diesel |

Air Requirements

| | |
|--|-----------------|
| Air Filter(s) Type | Dry |
| Combustion Air Flow: CFM (m ³ /min) | 2507.34 (71.00) |
| Maximum Air Intake Restriction | |
| Clean: in. H ₂ O (kPa) | 14.85 (3.70) |
| Dirty: in. H ₂ O (kPa) | 24.88 (6.20) |
| Radiator Discharge Air Flow: CFM (m ³ /min) | 31748 (899) |

Exhaust System

| | |
|---|------------------|
| Gas Temperature: °F (°C) | 917.60 (492.00) |
| Gas Flow: CFM (m ³ /min) | 5862.24 (166.00) |
| Max Exhaust Back Pressure: in. H ₂ O (kPa) | 40.13 (10.00) |
| Exhaust Outlet Size: in. (mm) | 5.50 (139.70) |

Sound Level

| | |
|--|-------|
| Open Unit Without Exhaust: dBA 3.2 ft (1M) | 104.3 |
|--|-------|

Filters and Quantity

| | |
|-------------------------|---|
| Air Cleaner Quantity | 2 |
| Oil Filter(s) Quantity | 2 |
| Fuel Filter(s) Quantity | 2 |

Fuel Consumption - 125°C

| | |
|--|----------------|
| At 100% of Power Rating: gal/hr (L/hr) | 54.16 (205.00) |
| At 75% of Power Rating: gal/hr (L/hr) | N/A |
| At 50% of Power Rating: gal/hr (L/hr) | N/A |
| At 25% of Power Rating: gal/hr (L/hr) | N/A |

Fuel Consumption - 105°C

| | |
|--|----------------|
| At 100% of Power Rating: gal/hr (L/hr) | 49.93 (189.00) |
| At 75% of Power Rating: gal/hr (L/hr) | 38.57 (146.00) |
| At 50% of Power Rating: gal/hr (L/hr) | 26.42 (100.00) |
| At 25% of Power Rating: gal/hr (L/hr) | 15.59 (59.00) |

Cooling System

| | |
|-------------------------------|-----------------|
| Coolant Flow: gal/min (L/min) | 128.15 (485.10) |
|-------------------------------|-----------------|

GENERAL GUIDELINES FOR DERATION: Altitude: Derate 0.5% per 100m (328 ft.) Elevation above 1000m (3279 ft.) Temperature: Derate 1.0% per 10°C (18°F) temperature above 25°C (77°F)

RATINGS: All three-phase units are rated at 0.8 power factor. All single-phase units are rated at 1.0 power factor.

125° RATINGS: 125° apply to installations served by a reliable utility source. The standby rating is applicable to varying loads for the duration of a power outage. There is no overload capability for this rating. Ratings are in accordance with ISO-3046/1, BS 5514, AS 2789, and DIN 6271.

105° RATINGS: 105° ratings apply to installations where utility power is unavailable or unreliable. At varying load the number of generator set operating hours is unlimited. A 10% overload capacity is available for one hour in twelve. Ratings are in accordance with ISO-8528/1, overload power in accordance with ISO-3046/1, BS5514, AS2789, and DIN 6271. For limited running time and base load ratings consult the factory. The generator set manufacturer reserves the right to change the design or specifications without notice and without any obligation or liability whatsoever.

Alternator Data

| | |
|---|--------------|
| Manufacturer | Stamford |
| Type | PMG |
| Insulation NEMA Rise/Temp | NEMA H/125°C |
| Hertz | 60 |
| Phase | 3 |
| RPM | 1800 |
| Leads | 12 |
| Amortisseur Windings | Full |
| CFM Cooling Required | 2780 |
| Voltage Regulator | MX321 |
| Sensing | Three Phase |
| Voltage Regulation, No Load - Full Load | 0.5% |

Features

- BS EN 60034, BS5000, VDE 0530, NEMA MG1-32, IEC34, CSA C22.2-100, and AS1359 complaint
- IP23 enclosure
- Dynamically balanced to exceed BS6861:Part 1 Grade 2.5 vibration standard
- Quality assurance to BS EN ISO 9001
- Self-ventilated and drip proof construction
- Two-thirds pitch stator and skewed rotor
- Heavy duty bearings
- Fully guarded
- Overexcitation protection
- Under frequency protection
- Analog input
- Overvoltage protection
- Paralleling compatible
- Three-phase sensing



DGC2020 Digital Controller

- Integrated engine-genset control, protection, and metering
- Microprocessor allows for exact measurement, setpoint adjustment, and timing functions
- Front panel 3 position controls and indicators enable quick and simple operation
- Emergency stop push button and an Alarm Horn with silence button
- A wide temperature-range liquid crystal display (LCD) with backlighting
- NFPA-110 compliance with the RDP-110 (Remote Display Panel) simplifies emergency standby applications
- SAE J1939 Engine ECU communications
- Remote RS-485 communications for Optional RDP-110 Remote Annunciator
- 4 programmable contact inputs and 10 contact outputs (2 ADC rated)
- Modbus Communications with RS-485, Battery Backup for Real Time Clock, UL recognized, CSA certified, CE approved
- IP 54 Front Panel rating with integrated gasket and NFPA 110 Level 1 Compatible.
- Manual Override Keyswitch



Standard Features:

Warranty

| |
|----------------------|
| 2 Year Standard |
| 5 Year Comprehensive |

- Heavy Duty Steel Base
- Vibration Isolators
- Oil Drain Valve with Extension
- Battery Rack & Cables
- High Ambient Unit Mounted Radiator
- Battery Charging Alternator
- Factory Powder Coating
- Factory Test
- Owner's Manual

Controller Options

| |
|---|
| DGC-2020HD Controller |
| Fiber Optic Ethernet (DGC-2020HD) |
| RS-232 Port & Generator Protection (DGC-2020) |
| Flush or Surface Mount Remote Annunciator |
| Remote Mount Break Glass E-Stop Switch |

Miscellaneous Options:

- Battery Charger
- Coolant Drain Kit
- Block Heater
- Line Circuit Breaker
- Pad Type Battery Heater
- Battery Heater Blanket w/Thermostat
- Oil Pan Heater
- Generator Strip Heater

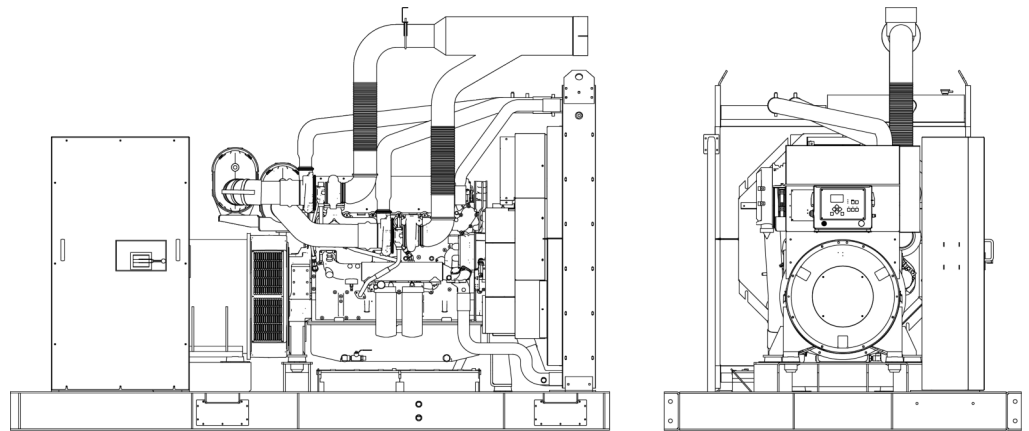
Open Unit

Options:

- Radiator Duct Flange
- Flex Exhaust
- Critical Silencer
- Sub-Base Fuel Tank

OVERALL SIZE: 156"L x 93"W x 105"H

Note: Dimensions reflect standard open unit with no options and are subject to change.



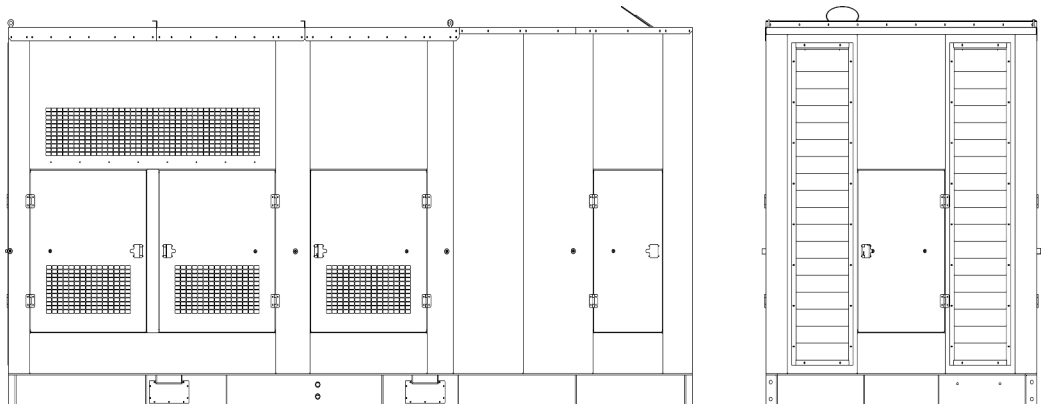
Standard Enclosed Unit

Options:

- Sound Attenuated Enclosure
- Load Center, Lights & GFI Receptacle
- Sub-Base Fuel Tank

OVERALL SIZE: 235"L x 93"W x 114"H

Note: Dimensions reflect standard enclosed unit with no options and are subject to change.



Note: The above drawings are provided for reference only and should not be used for planning installation.

Contact your local distributor for more information.